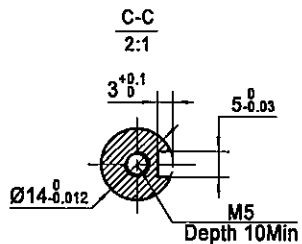
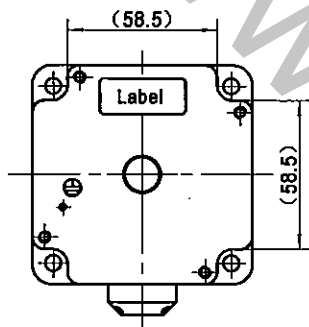
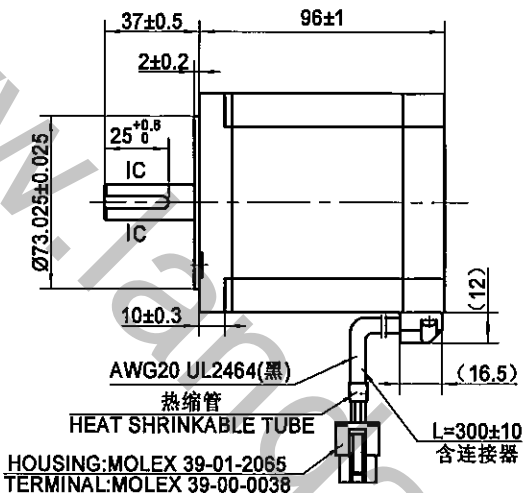


4611110034886

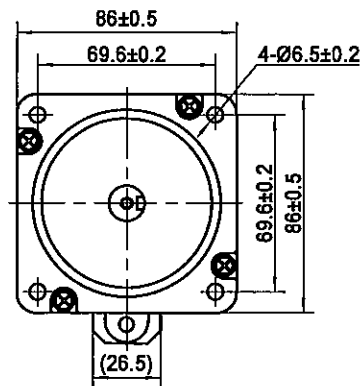


规格 Specifications

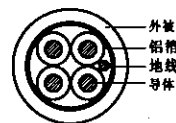
1. 相数 Number of Phase	2
2. 步距角 Step Angle	1.8°
3. 额定电压 Rated Voltage	1.89 V DC
4. 额定电流 Rated Current	6.3 Amp
5. 保持力矩 Holding Torque	6.6 Nm Typ.(Two phase on/rated current)
6. 相电阻 Phase Resistance	0.3 ± 0.1 ohm(20°C)
7. 相电感 Phase Inductance	2.9 mH ± 20%(1kHz 1V rms)
8. 转子惯量 Rotor Inertia	1850 gcm <sup>2</sup>
9. 电机重量 Motor Weight	2.7 kg
10. 绝缘等级 Insulation Class	B(130°C)



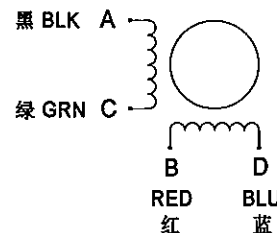
View D



电缆线断面 Cable section



接线图 Wiring Diagram



连接器针位vs.引线颜色 Pin No. vs. Lead Wire Colour

39-01-2065 Pin No.	颜色 Colour
1	蓝 BLU
2	红 RED
3	绿 GRN
4	黑 BLK
5	地 GND
6	N/A

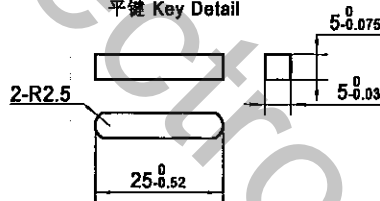
励磁顺序vs.旋转方向 Exciting Sequence vs. Direction of Rotation

Exciting Sequence vs. Direction of Rotation

STEP	A	B	C	D	CCW
1	+	+	-	-	↑
2	-	+	+	-	
3	-	-	+	+	
4	+	-	-	+	

从安装面看为顺时针方向 Clockwise view from mounting side

平键 Key Detail



备注 Comment:

- 1.平键不安装在转轴上, 随电机一起发货。
- 2.使用黑端盖。

保 密

铭牌 Label Detail

XXXXXXXX-work order 加工单号  
XXXX-serial number 流水号



Date Format 日期格式

Unit: mm  
第一角画法  
FIRST ANGLE METHOD  
未注线性与角度尺寸公差  
Tolerances for linear and angular dimensions without individual tolerance indications  
GB/T 1804-m eqv ISO 2768-1 : m  
未注形状与位置尺寸公差  
Geometrical tolerances for features without individual tolerance indications  
GB/T 1184-K eqv ISO 2768-2 : K

批准 Approve	柳超	12.25
标准化 Standard	刘生	12.25
工艺 Technology	刘生	12.25
审核 Check	刘生	12.25
设计 Design	瞿建强	2019.12.24

**MOONS'**  
Shanghai Moons' Electric Co., Ltd.  
Hybrid Stepping Motor

This document is released for information only. Its reproduction in whole or in part or its dissemination to third parties is prohibited. All trademarks and registered trademarks appearing on this document are the property of their respective owners.

REV.	版本记录 REVISION RECORD	DATE	UNLESS OTHERWISE SPECIFIED	NAMES	SIGNATURE	DATE	Type: AM34HD1404-XD01	Rev.A	SCALE 1:2	Sheet 1 of 1
------	----------------------	------	----------------------------	-------	-----------	------	-----------------------	-------	-----------	--------------